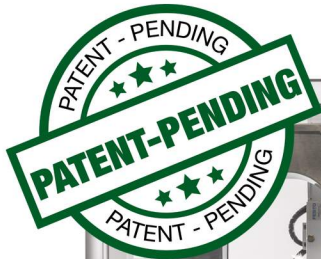


# PreRoll-Er™

Manufacturer and Systems Integrator  
Cannabis Engineered Technologies

Market Leader - Validated Solution



## 200 SERIES



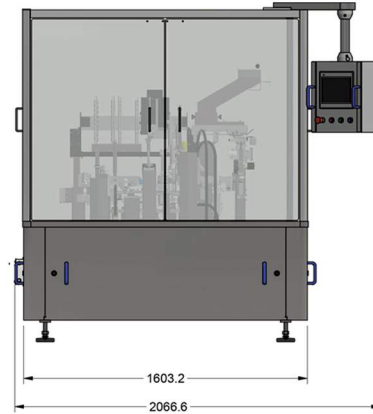
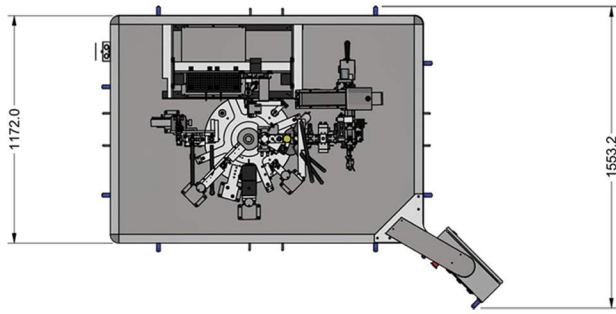
### PreRoll-Er 200

Fully Automatic  
Optimum Results



## Quality - Versatility - Consistency

# PreRoll-Er 200 Automatic Pre-Rolls Filler



## Highlights

- Replaces 12-16 operators per shift (rapid ROI)	- Robust, built to run 24/7
- Adapts to all cone and straight tube	- Optimal uptime with < 1.9% reject
- Easy cleaning and change over	- Dual weight verification / Accuracy of 0.01g
- Wide range of moisture level and grind size	- Low maintenance / Service friendly
- Recipes / Data acquisition / Secure remote access	- Premium compaction and flat top finish
- Production capacity: up to 25 pre-rolls / min	- Works with infused cannabis

## Technical Details

- Electrical: 200-240 VAC / 1 Ph / 3.3 kWh / 20 A	- Direct joint oil infusing system
- Air: 100 PSI / 20 SCFM / Ethernet Connection	- Automatic straight tube feeder and tooling
- Festo pneumatic and servo motor	- Cooling unit
- Omron PLC and 15" colored TP - HMI	- Vision system for quality control with reject

## Options

" The most consistent results "

- Tilray / Aphria

" Impressed with the service "

- Cannara Biotech

**Book Your Live Demonstration**

### Canada

960 boul. Industriel  
Terrebonne, QC  
J6Y 1X1

### USA

6969 Speedway Blvd,  
Suite 107  
Las Vegas, Nevada, 89115

www.preroll-er.com  
1-855-817-5696  
info@preroll-er.com

